

# GL260

## Various Measurements for Water Electrolysis Systems

[Industry]  
Development

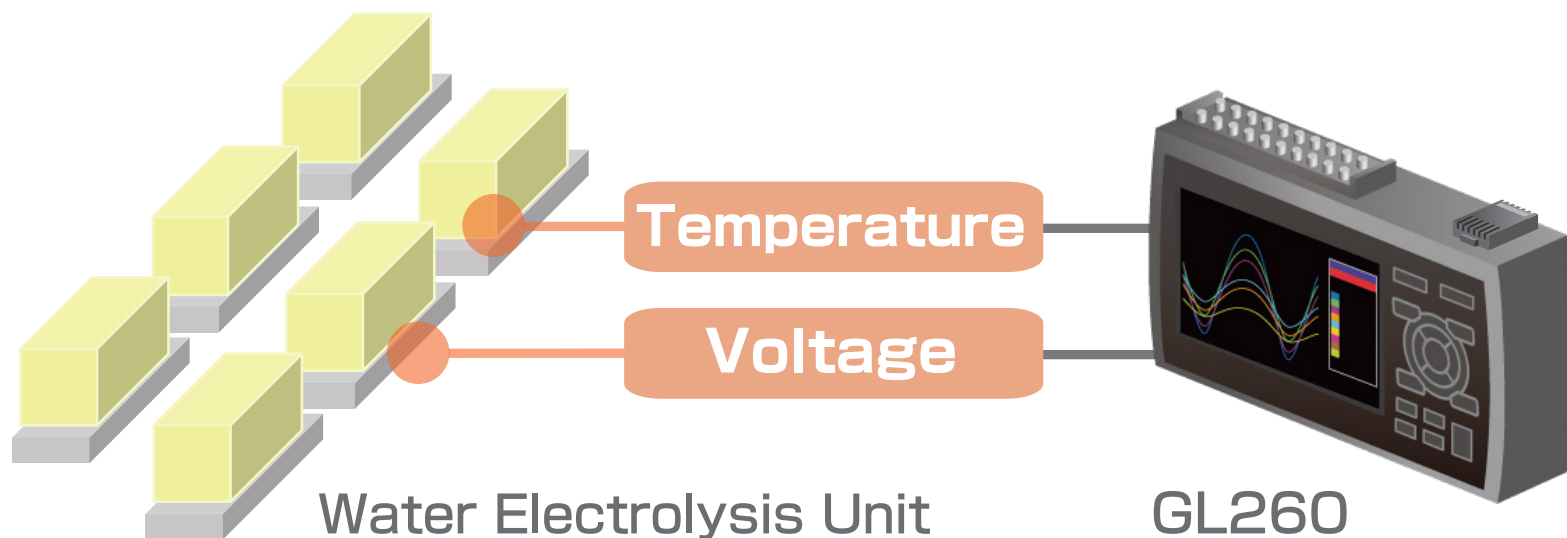
Various measurements in the development of a “water electrolysis system” that converts renewable energy into hydrogen

Adopted as part of the “P2G system,” which is expected to play a key role in expanding renewable energy and reducing greenhouse gas emissions as we work toward a decarbonized society

### P2G System

#### Power to Gas

Using renewable energy to electrolyze water and produce hydrogen (gas)



Put the GL260 to use for quick measurements!

✓ Remote monitoring is also possible with the web server feature!